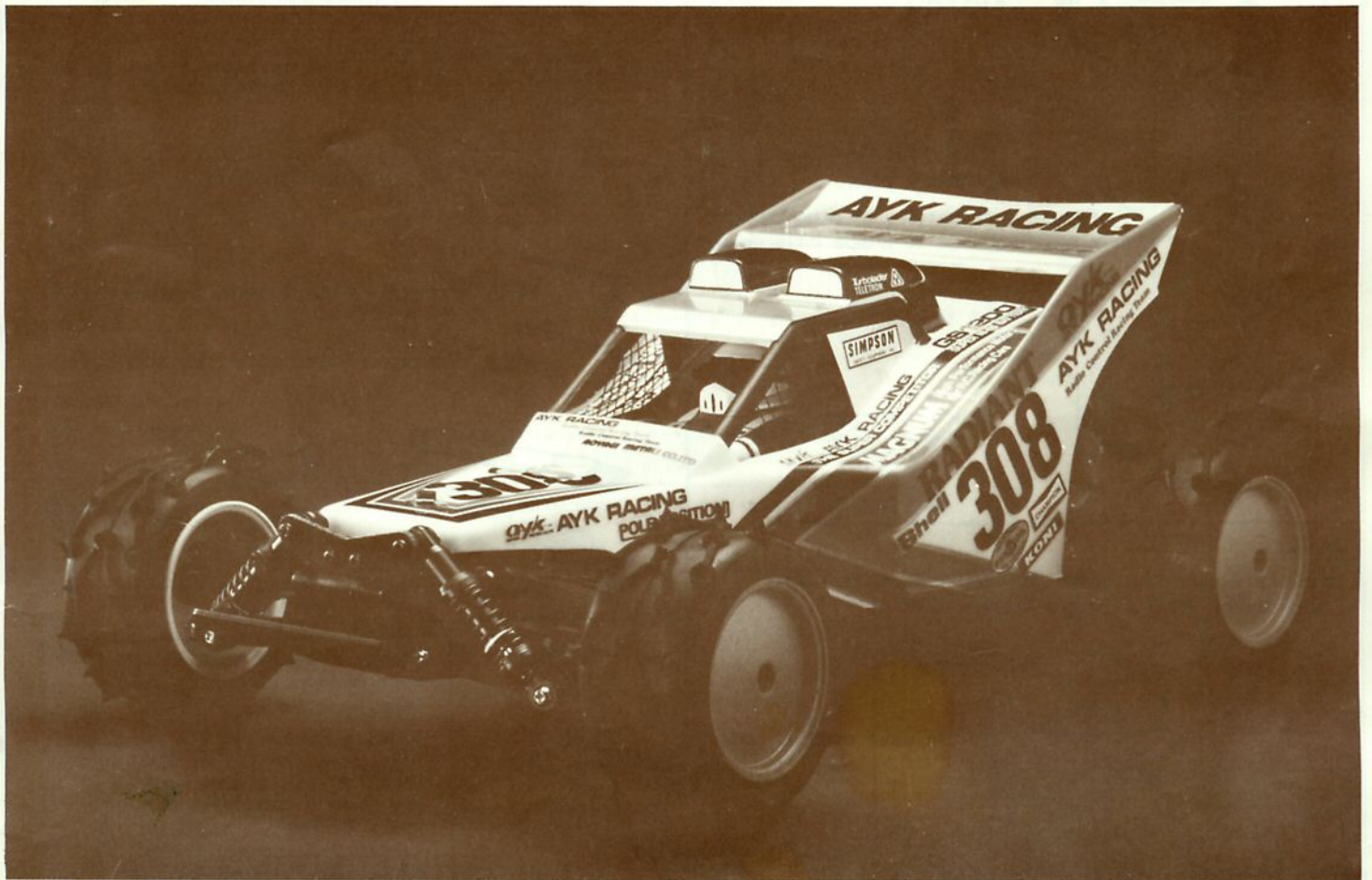


RADIANT

RADIO CONTROLLED RACING OFFROADER

1:10電動ラジオコントロール・レーシング・オフローダー
組立・取扱説明書

組立、走行の前に必ずお読み下さい。



Competition X
A WEB SITE FOR THE SERIOUS RACER

PLEASE READ THE INSTRUCTIONS
CAREFULLY BEFORE ASSEMBLY

AYK RACING
ROYRGI METALS CO. LTD

PLEASE READ THE INSTRUCTIONS CAREFULLY BEFORE ASSEMBLY.

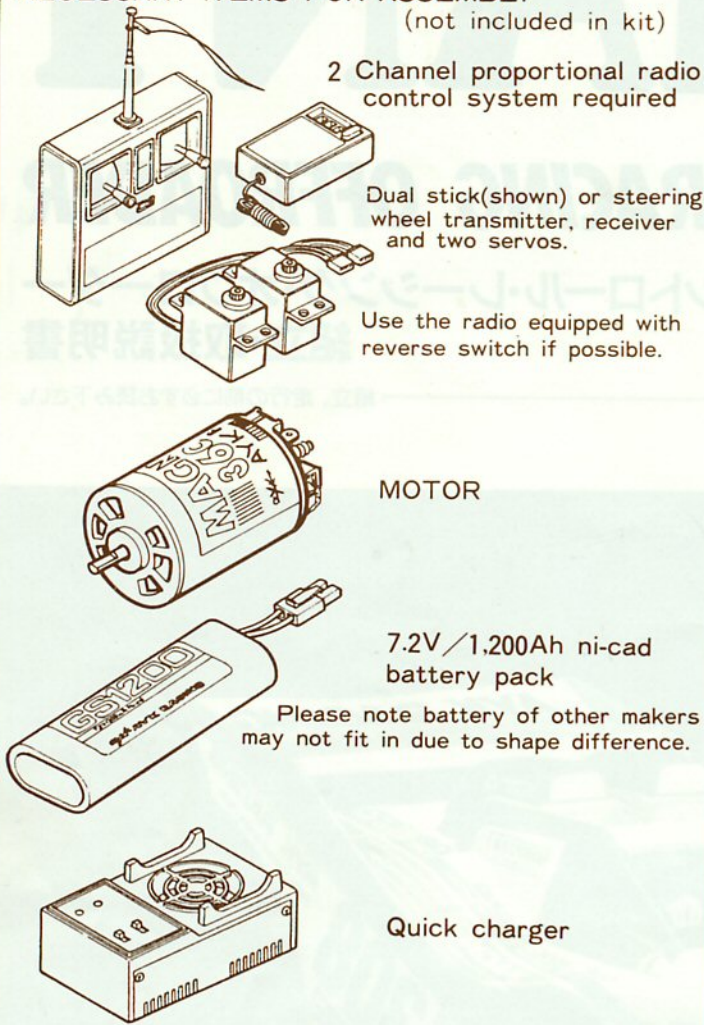
This kit comes pre-assembled, but be sure to adjust each part and fasten all screws referring to the following instructions. Read following instructions thoroughly for easy assembly.

CAUTION!! Be careful for enjoying the high performance radio control car on the following points.

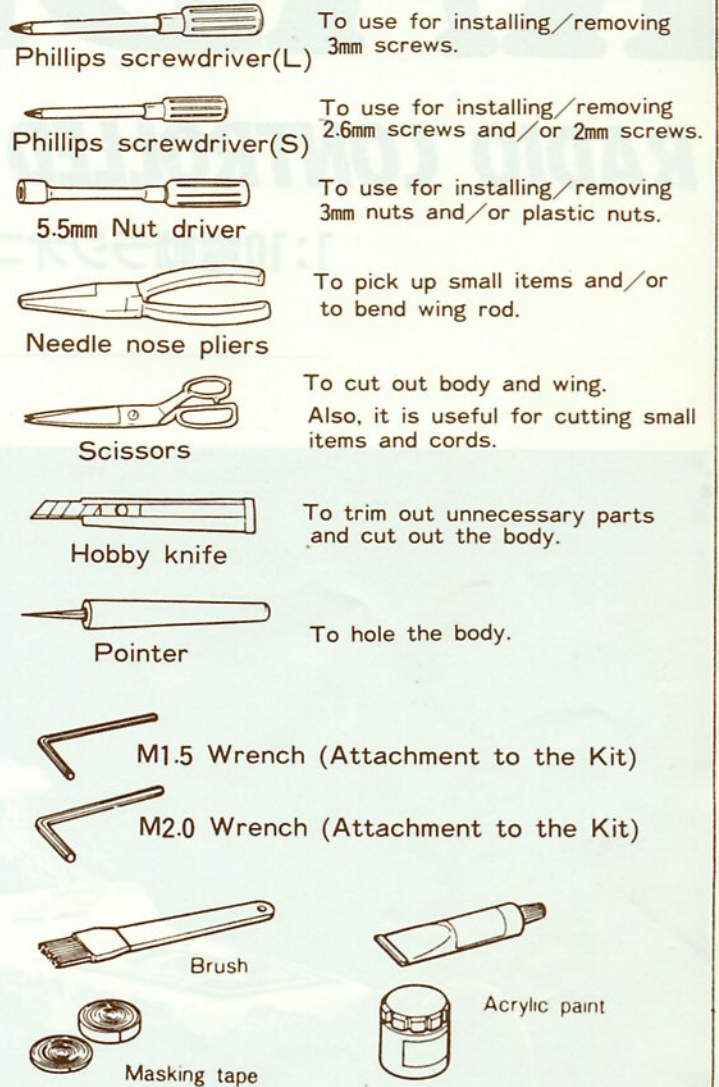
1. Be sure pull out the connector of the Ni-cad battery after driven. (May catch fire when a controller moved.)
2. Be sure off the switch of receiver.
3. Do not reconstruct a car.
4. Do not drive a car at the dangerous place or road.

NECESSARY ITEMS FOR ASSEMBLY

(not included in kit)

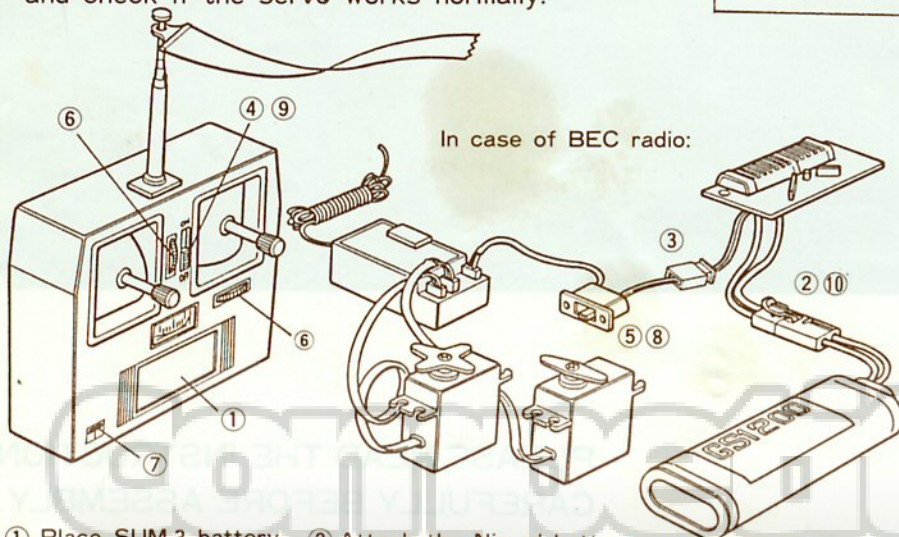


TOOLS REQUIRED FOR ASSEMBLY



RADIO CHECK

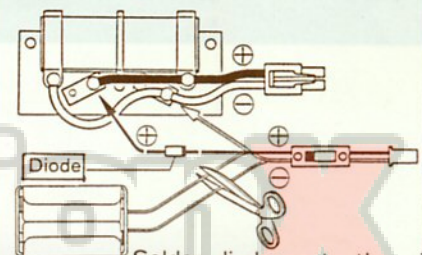
Before assembly, refer to RADIO instructions and check if the servo works normally.



- ① Place SUM-3 battery
- ② Attach the Ni-cad battery. Make sure not to short-circuit.
- ③ Attach the BEC connector.
- ④ Turn on the switch
- ⑤ Turn on the switch
- ⑥ Set the trim lever at the middle position
- ⑦ Steering servo is used in reverse position
- ⑧ Turn off the switch
- ⑨ Turn off the switch
- ⑩ Pull out the connector

Change wiring for the receiver which requires 6N-1200 in order to increase the speed.

Separate the battery box and solder it to these thin red and black cords from the resistor. Don't mix up \oplus and \ominus as it could destroy servo and receiver



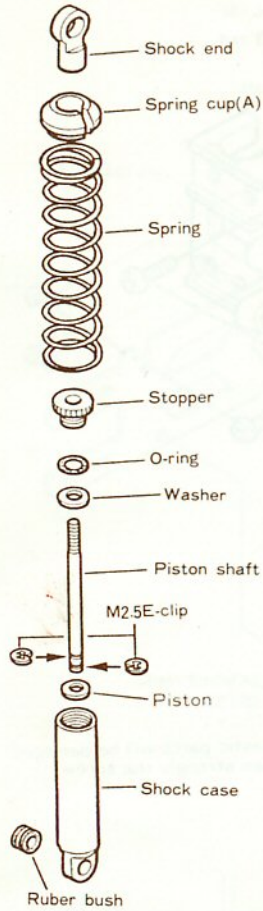
When slowing down during its run, charge the Ni-cad battery.

CAUTION!! Be sure pull out the connector of the Ni-cad battery after driven.

1 Shock Absorber

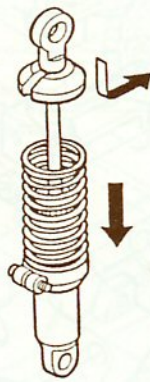
Front shock set —(RZ7)
Rear shock set —(RZ9)

A type

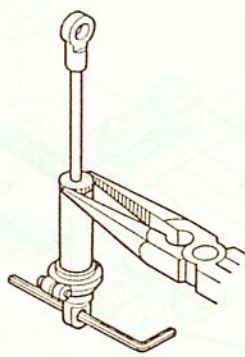


The above drawing applies to the Front shock also.

Shock absorber has been already assembled, but disassemble it in order to apply oil. To prevent mixing-up parts, disassemble one by one.

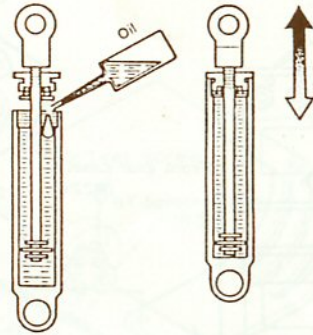


(1) Push down the spring as (2) Unscrew the stopper to remove. slide out the spring cup A to remove.



(4) Tighten up Stopper

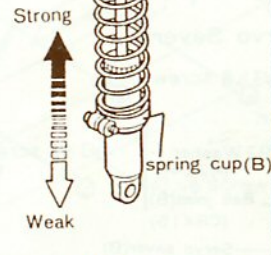
Tighten the stopper slowly.



(3) Push the piston all way down and pour oil up to the line shown in the drawing in order not to have air bubble inside.



(5) Install the Spring cup (A)

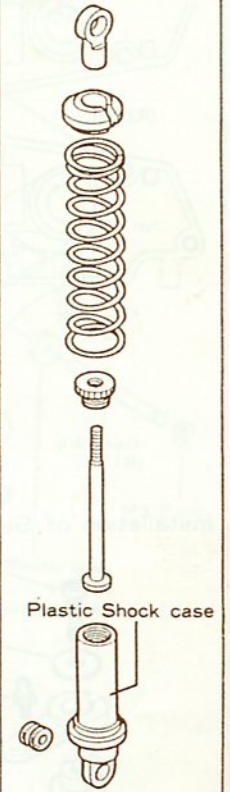


(6) Adjust a position of spring cup (B) to change the strength of the spring.

Be sure to balance the right and left spring equally.

Shock Absorber B type

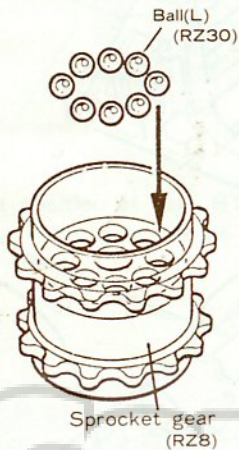
Do not pour oil into this shock absorber.



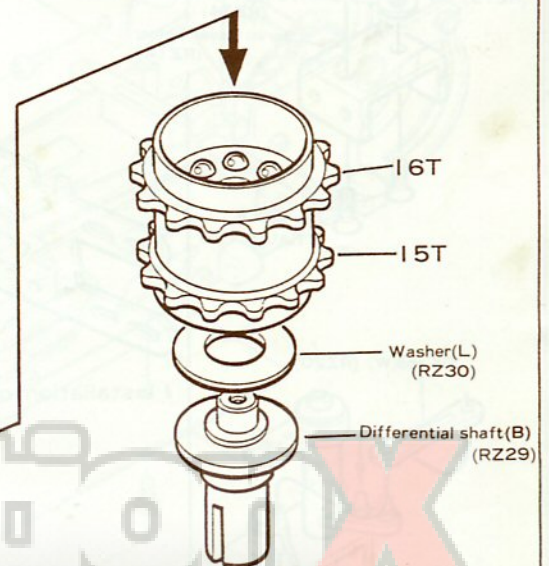
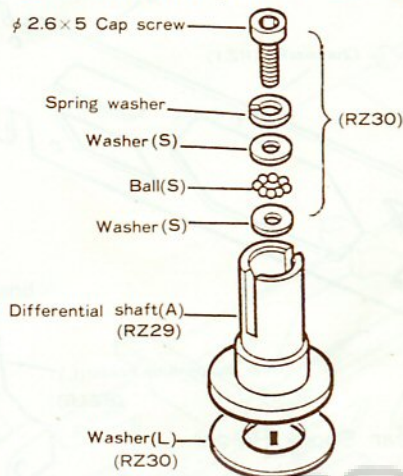
Oil shock absorber is available seperately.

2 Ball Diff

Apply grease on the ball to place.



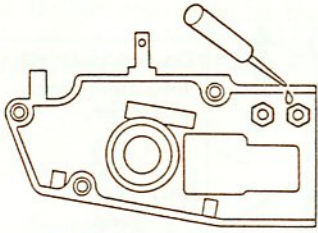
Use the same differential joint for both front and rear.



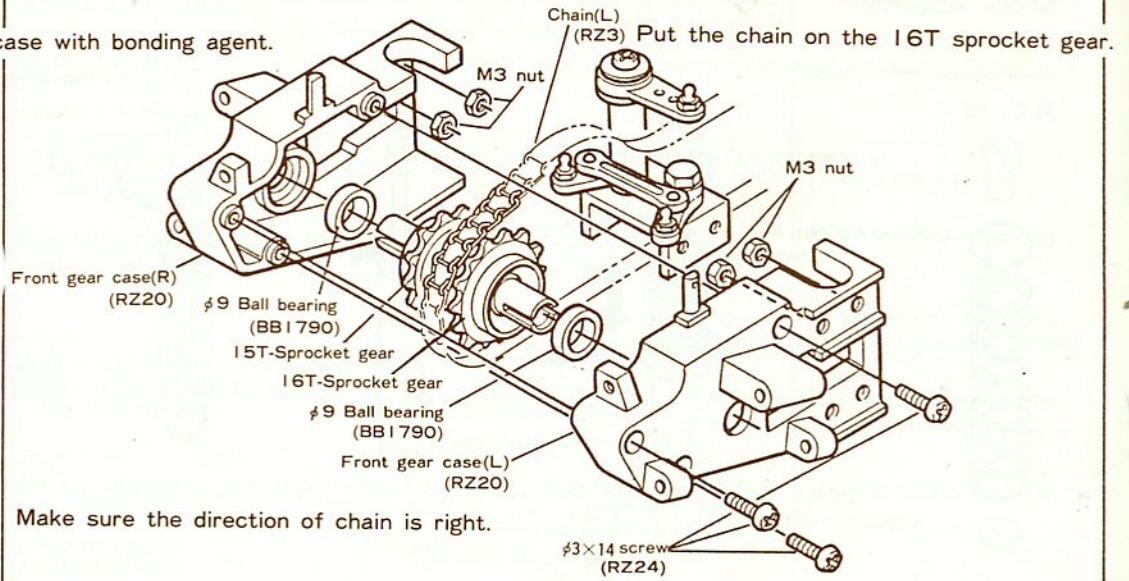
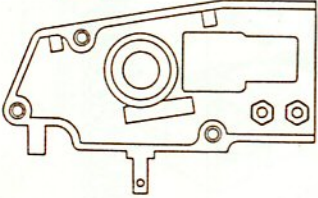
Adjust the strength of differential by tightening the φ2.6 × 15mm cap screw. Tighten up the said screw hard first as it would cause sliding if it is too loose.

3 Front Gear Case

Fix the M3 nut in the gear case with bonding agent.

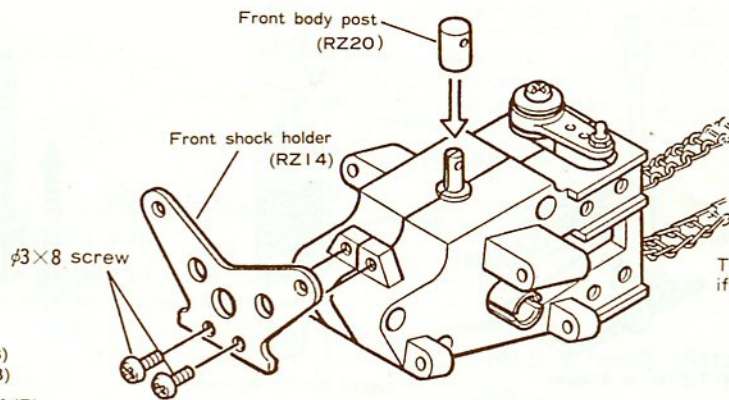
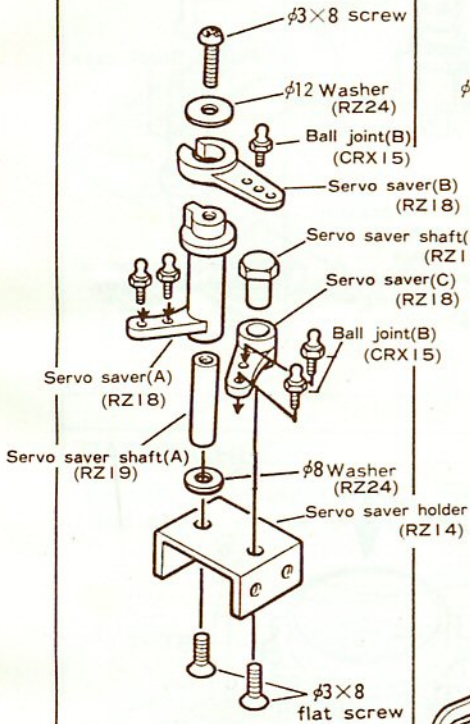


(RZ20)

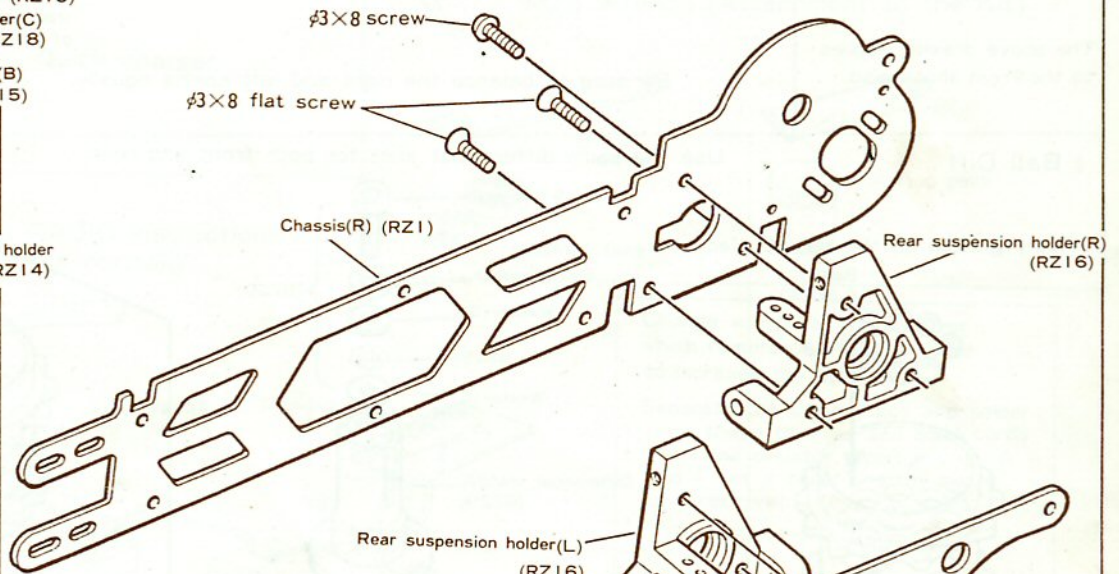


Make sure the direction of chain is right.

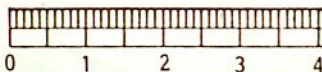
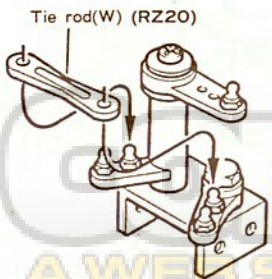
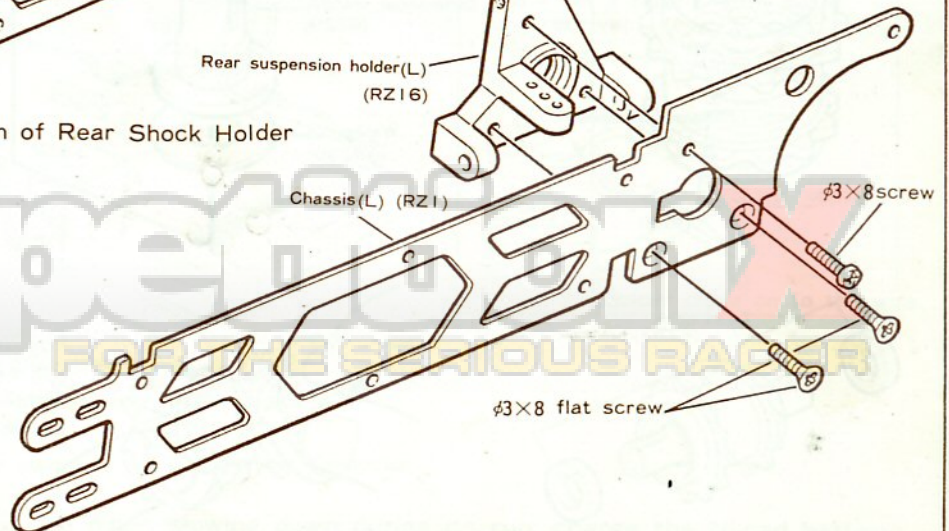
Installation of Servo Saver



The plastic parts will be damaged if fasten strongly the screw.

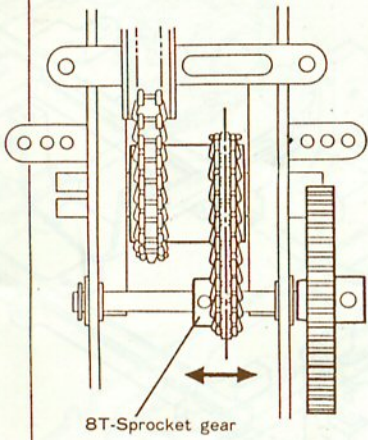
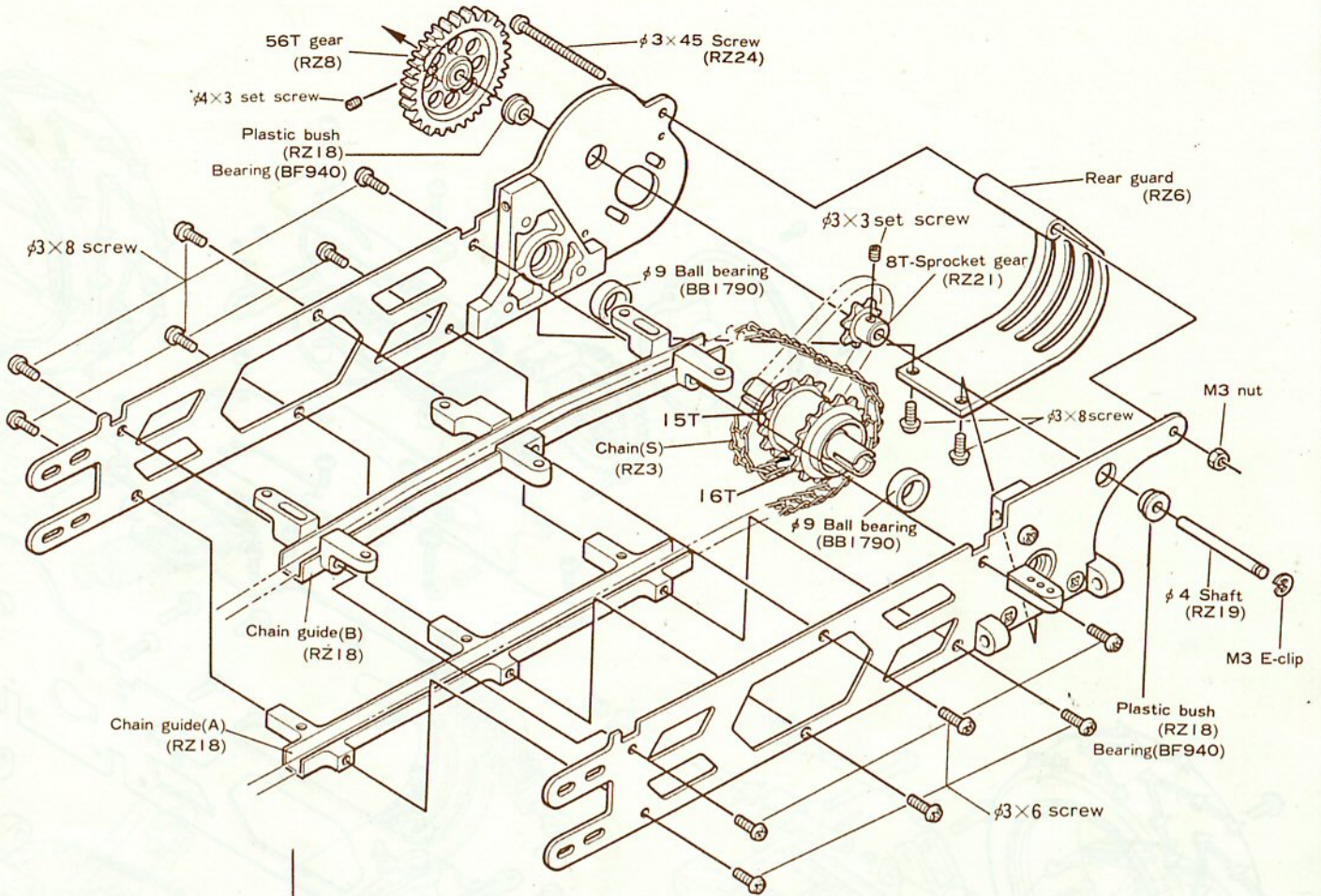


4 Installation of Rear Shock Holder



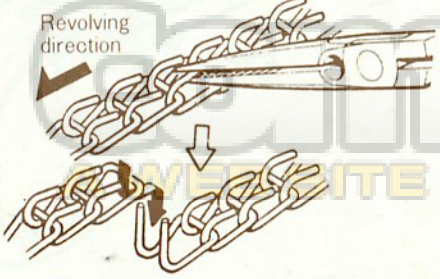
CAUTION!! Be sure pull out the connector of the Ni-cad battery after driven.

5 Assembly of Chassis

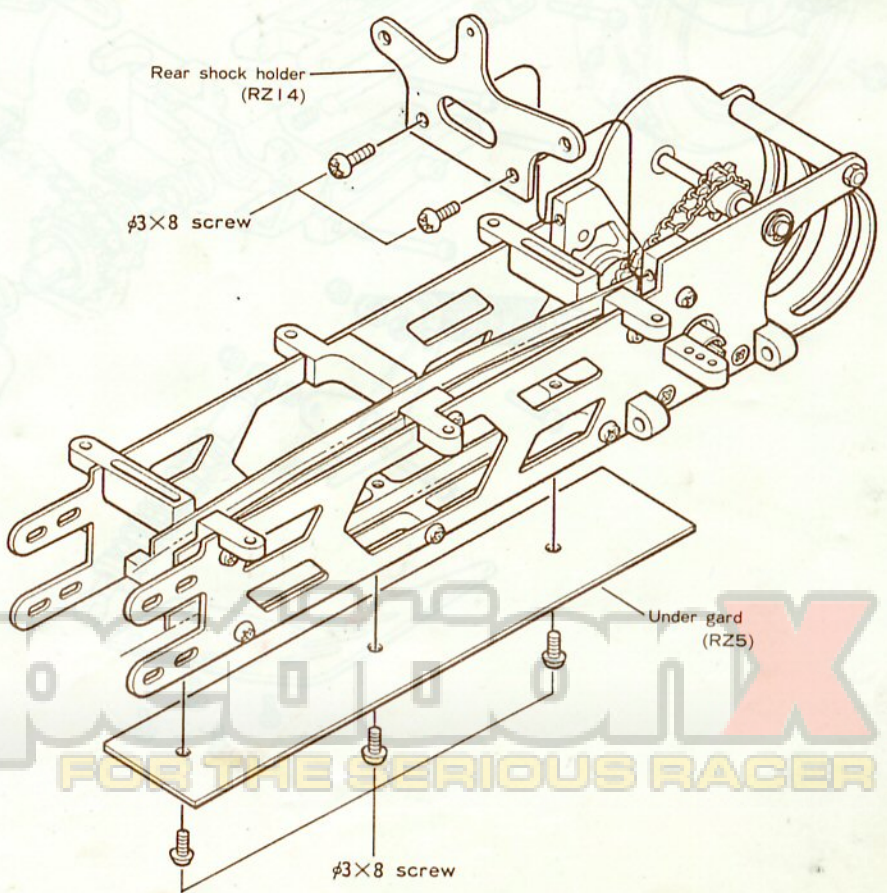


Adjust position of both 8T sprocket and 15T sprocket gears to be in line with the chassis.

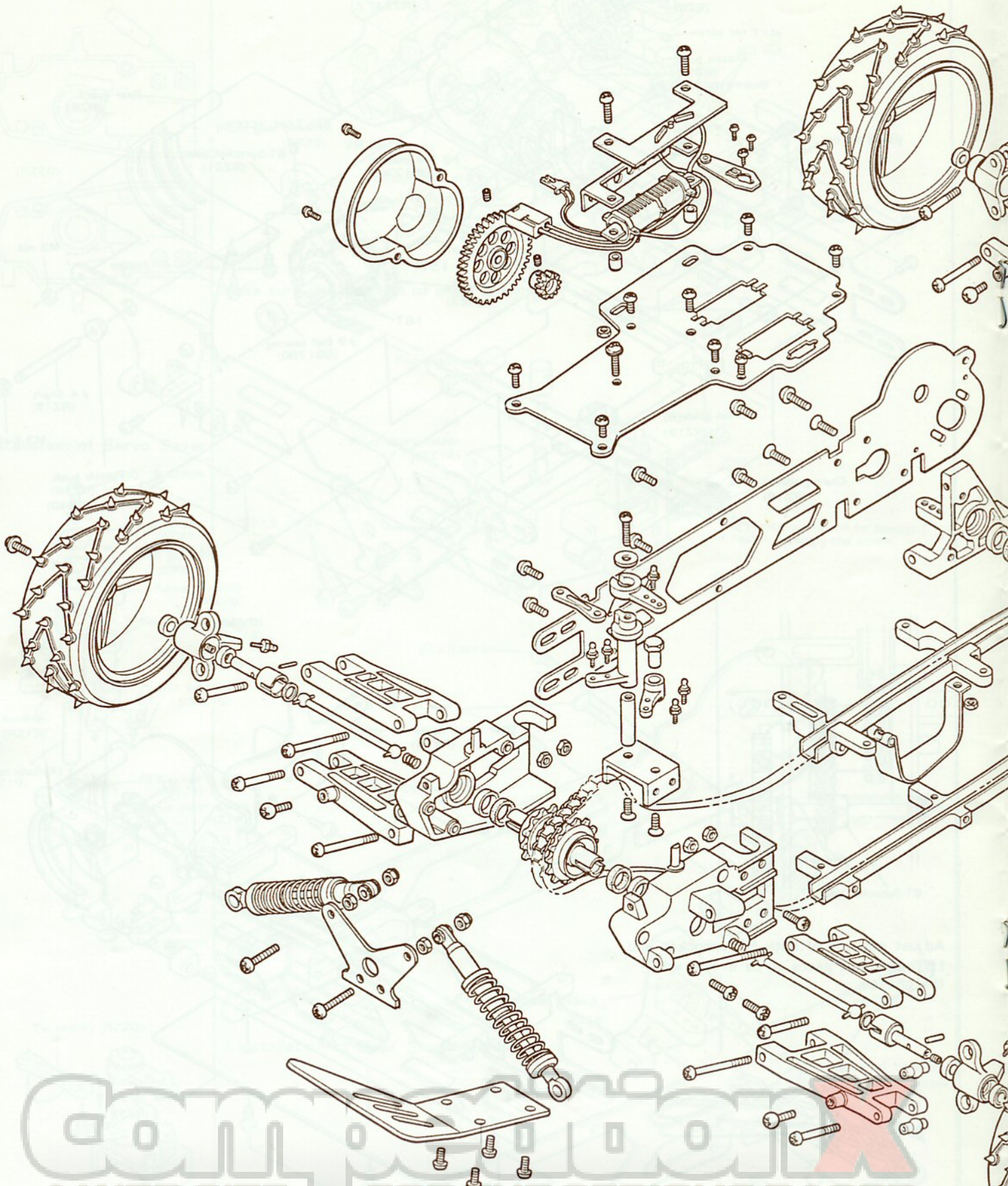
How to take out chain



Bend toward an arrow indicates with cutting pliers.

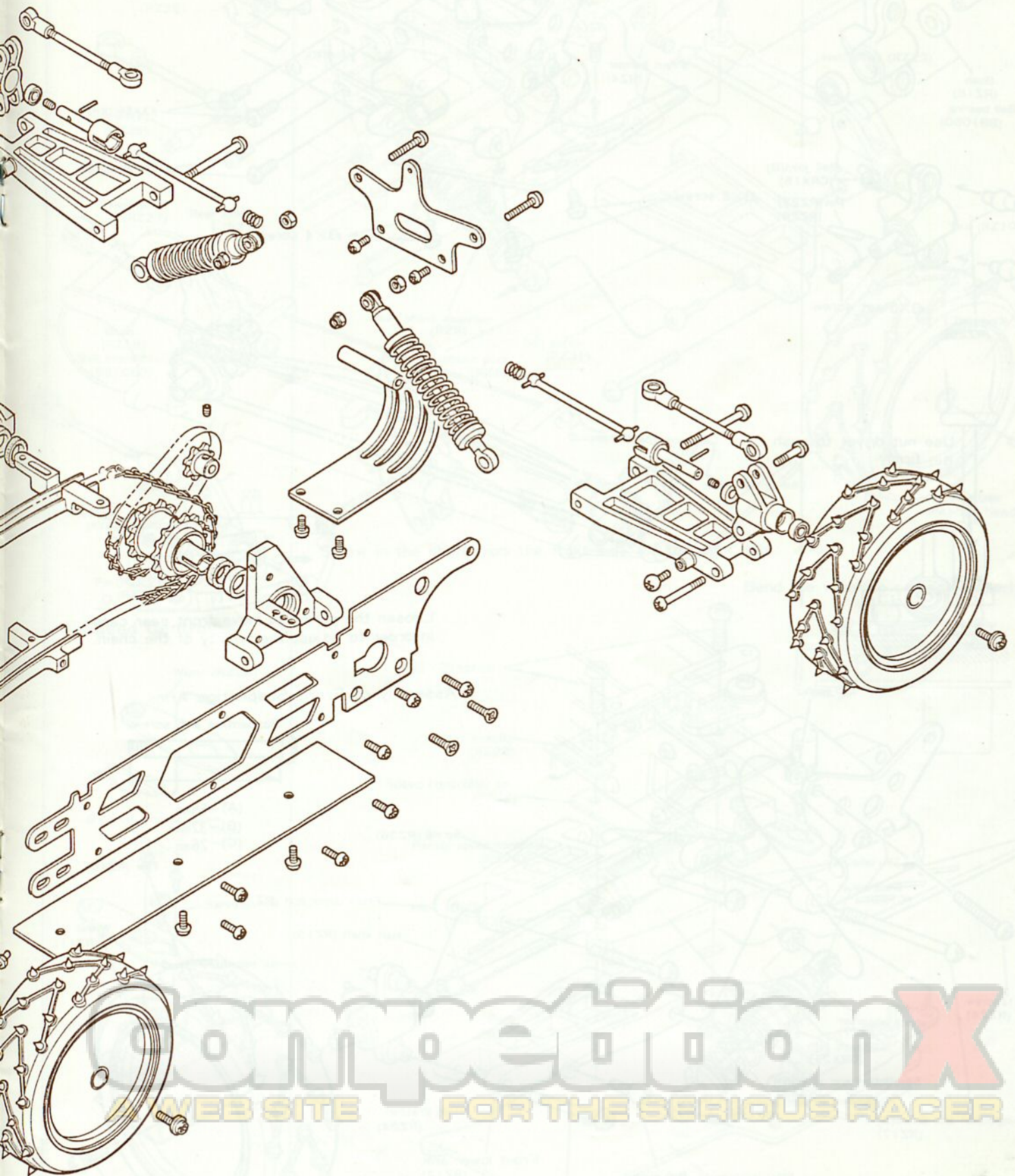


CAUTION!! Be sure pull out the connector of the Ni-cad battery after driven.



COMPETITION
A WEB SITE FOR THE SERIOUS RACER

CAUTION!! Be sure pull out the connector of the Ni-cad battery after driven.



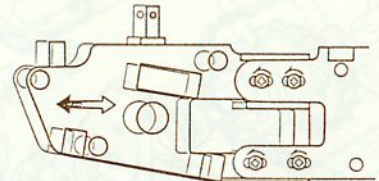
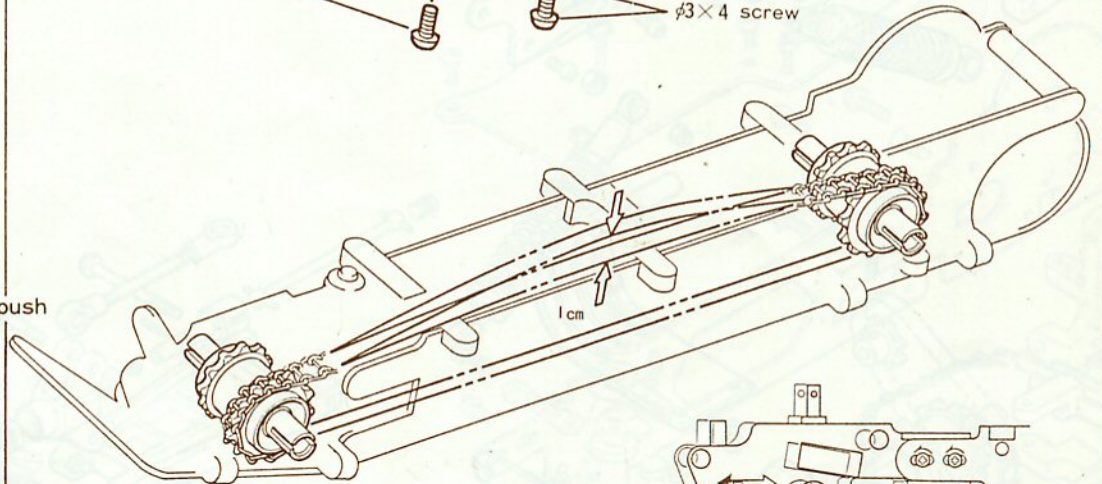
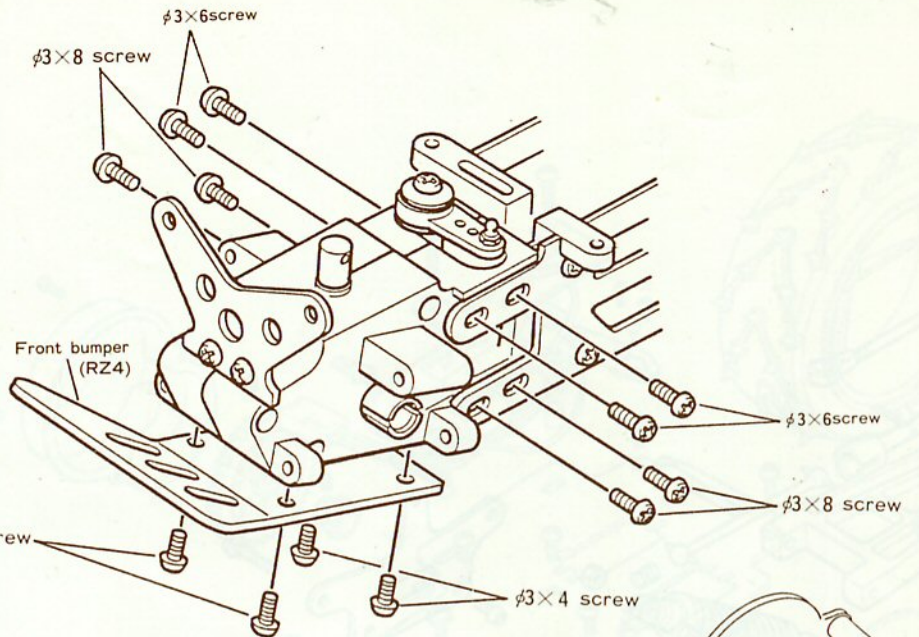
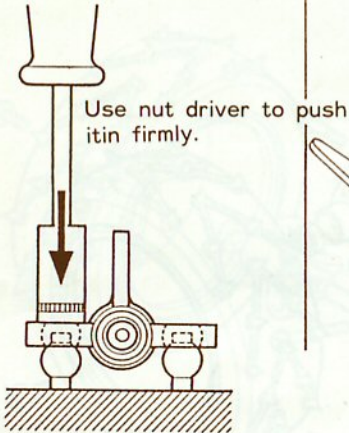
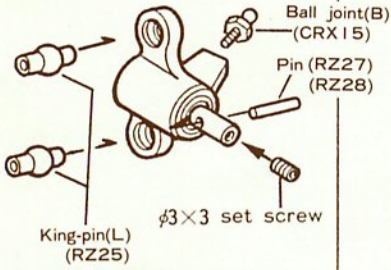
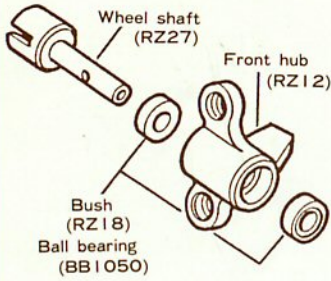
Competition X

WEB SITE

FOR THE SERIOUS RAGER

6 Mounting of Front Gear Case

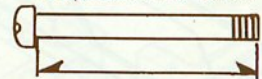
Installation of Steering Arms



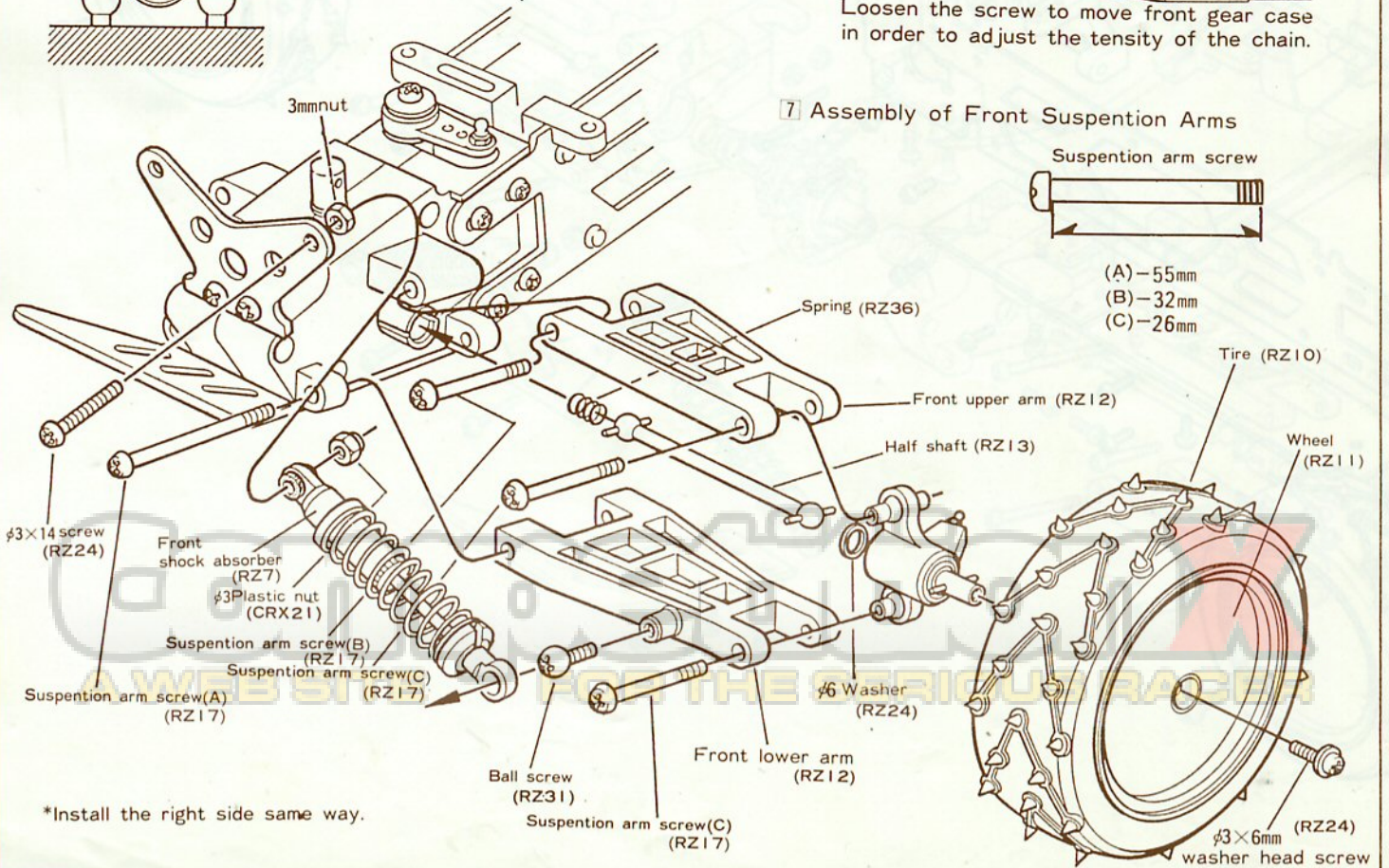
Loosen the screw to move front gear case in order to adjust the tension of the chain.

7 Assembly of Front Suspension Arms

Suspension arm screw



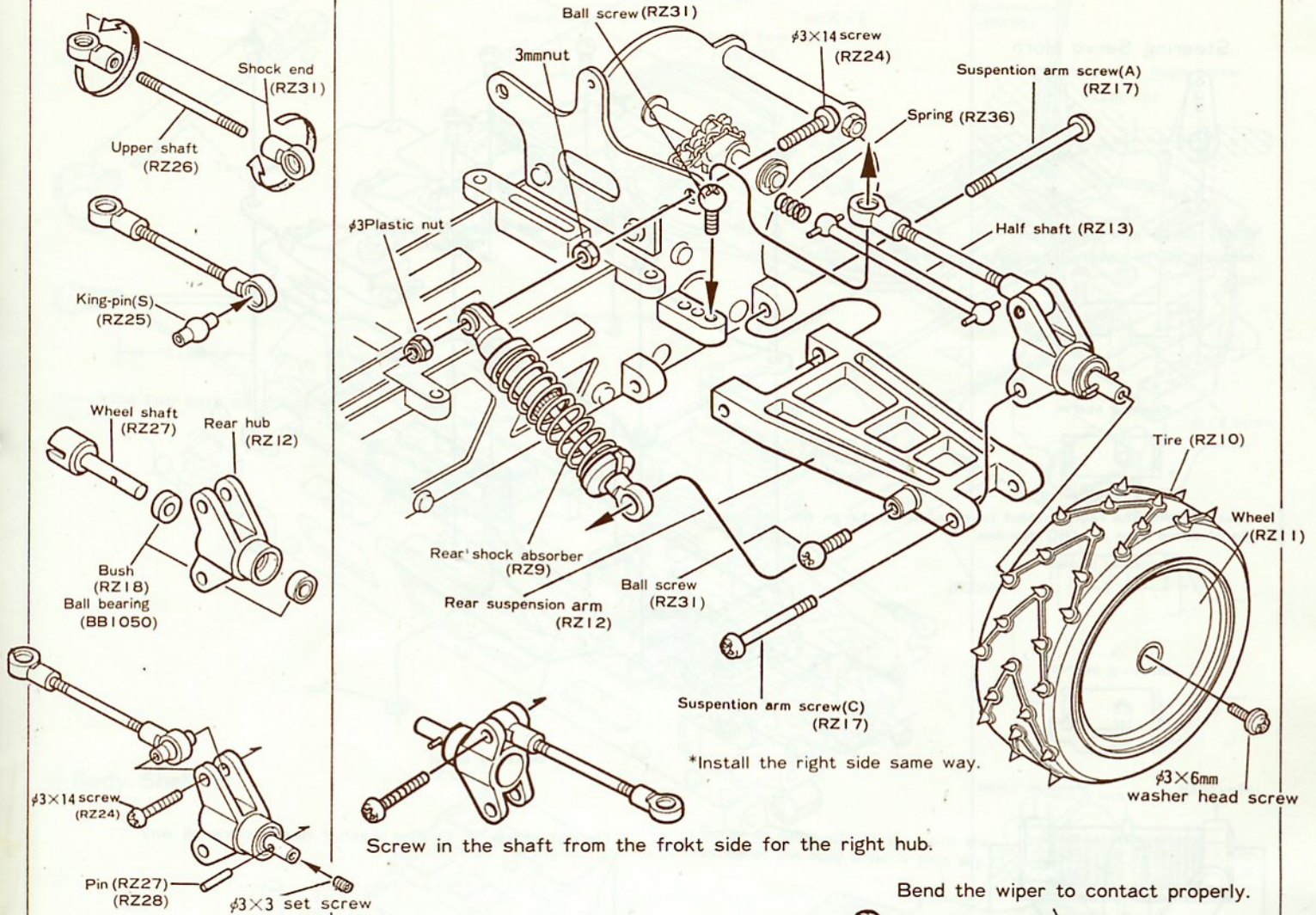
- (A) - 55mm
- (B) - 32mm
- (C) - 26mm



*Install the right side same way.

CAUTION!! Be sure pull out the connector of the Ni-cad battery after driven.

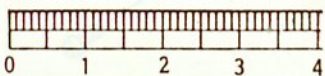
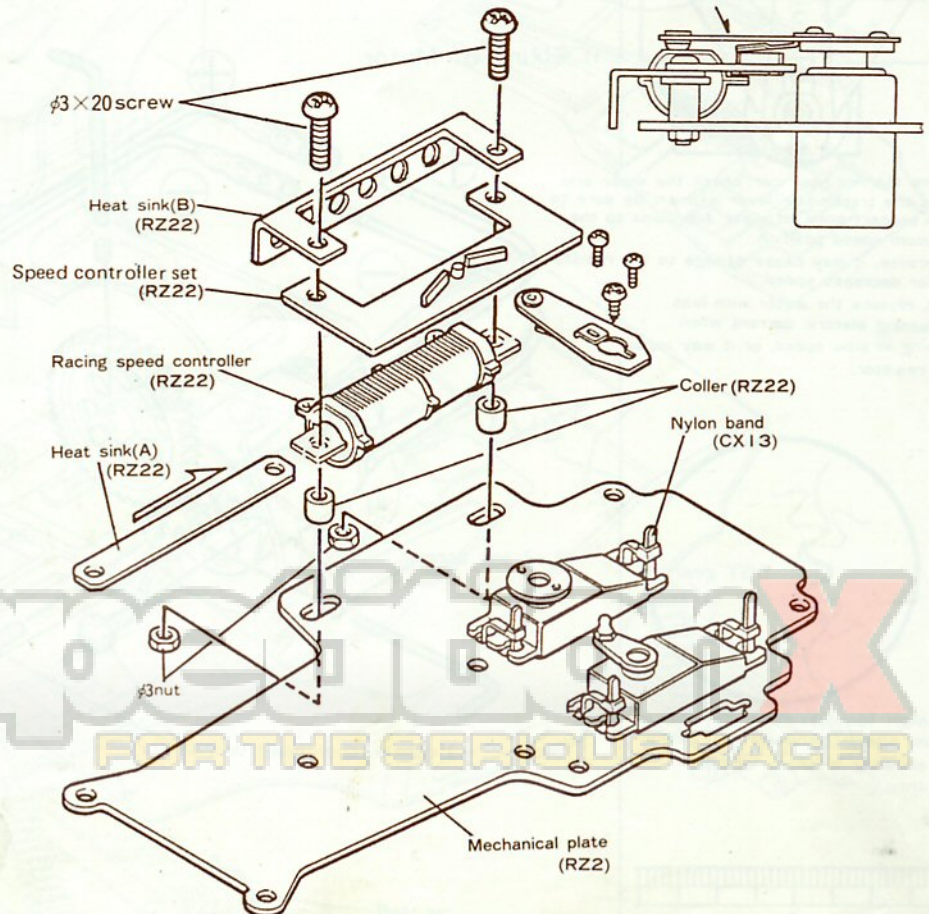
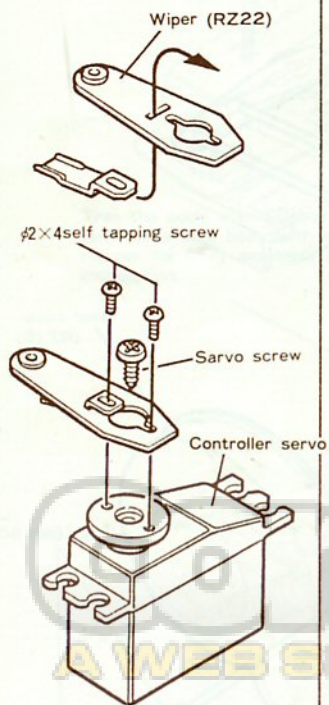
8 Assembly of Rear Suspension Arms



Screw in the shaft from the frokt side for the right hub.

Bend the wiper to contact properly.

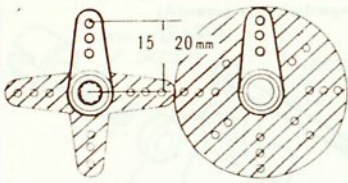
9 Speed Controller



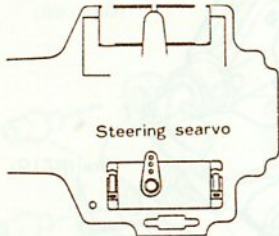
CAUTION!! Be sure pull out the connector of the Ni-cad battery after drived.

10 Mounting of Mechanical Plate

Steering Servo Horn

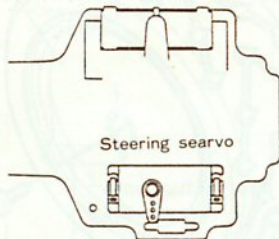


Modify servo arm as shown, removing parts covered by slash mark:

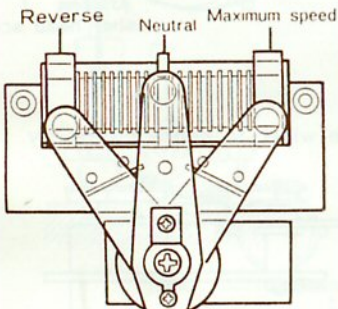


Steering servo

In case of using the radio without reverse switch, change the angle of servo horn by 180 degrees.



Steering servo



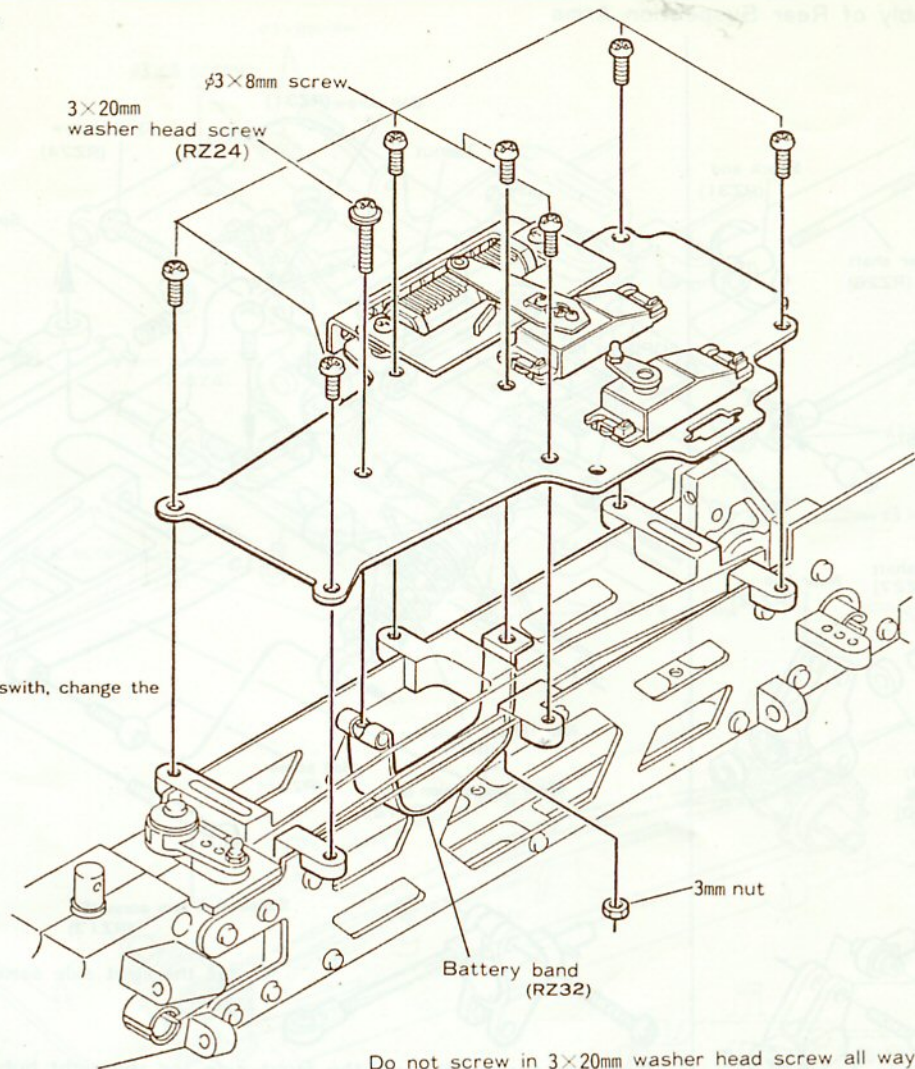
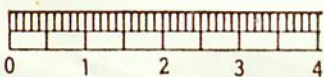
Reverse Neutral Maximum speed

Before starting your car, check the wiper arm. When the transmitter lever is down, be sure to have contact point of wiper arm come to the maximum speed position. Otherwise, it may cause damage to the resistor and/or decrease speed. Also, replace the motor with less consuming electric current when running in slow speed, or it may impair the resistor.



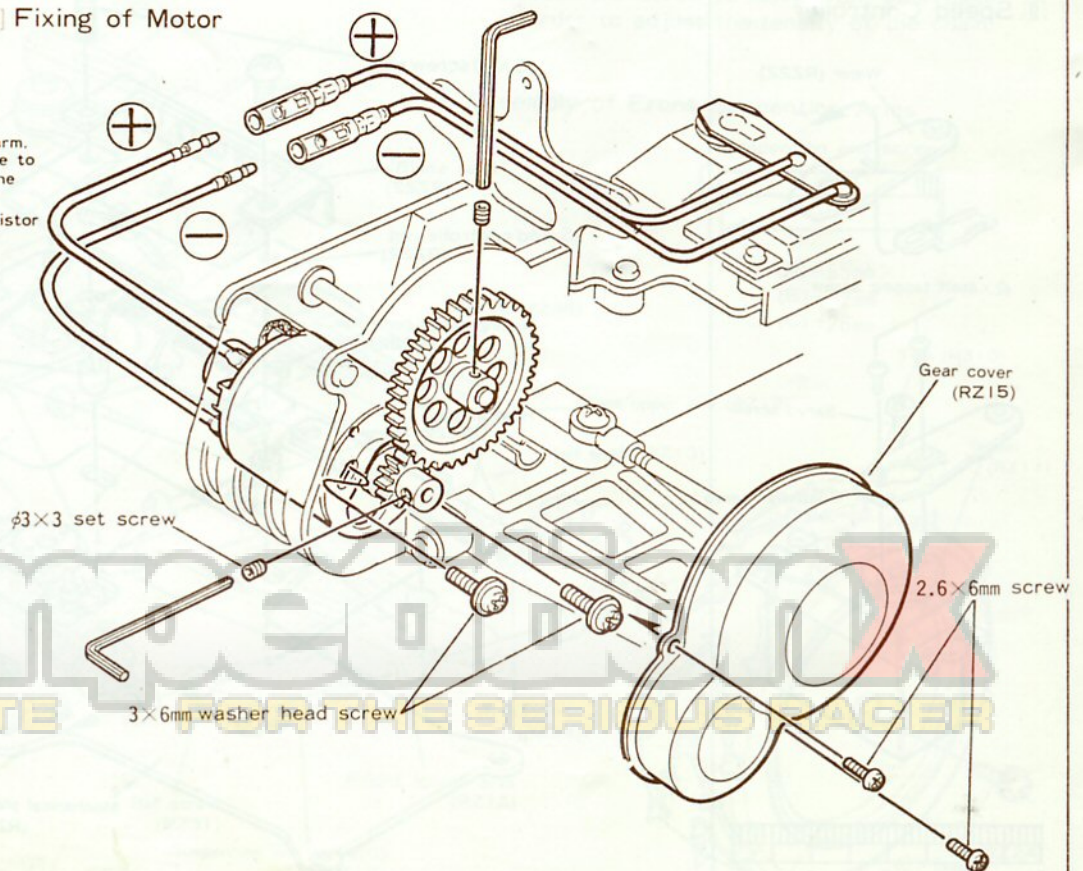
56T gear

To align for maximum contact, leave space between two gears by allowing a sheet of paper go thru.



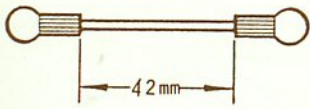
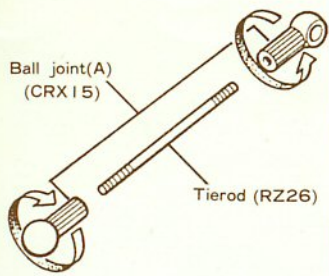
Do not screw in 3x20mm washer head screw all way

11 Fixing of Motor

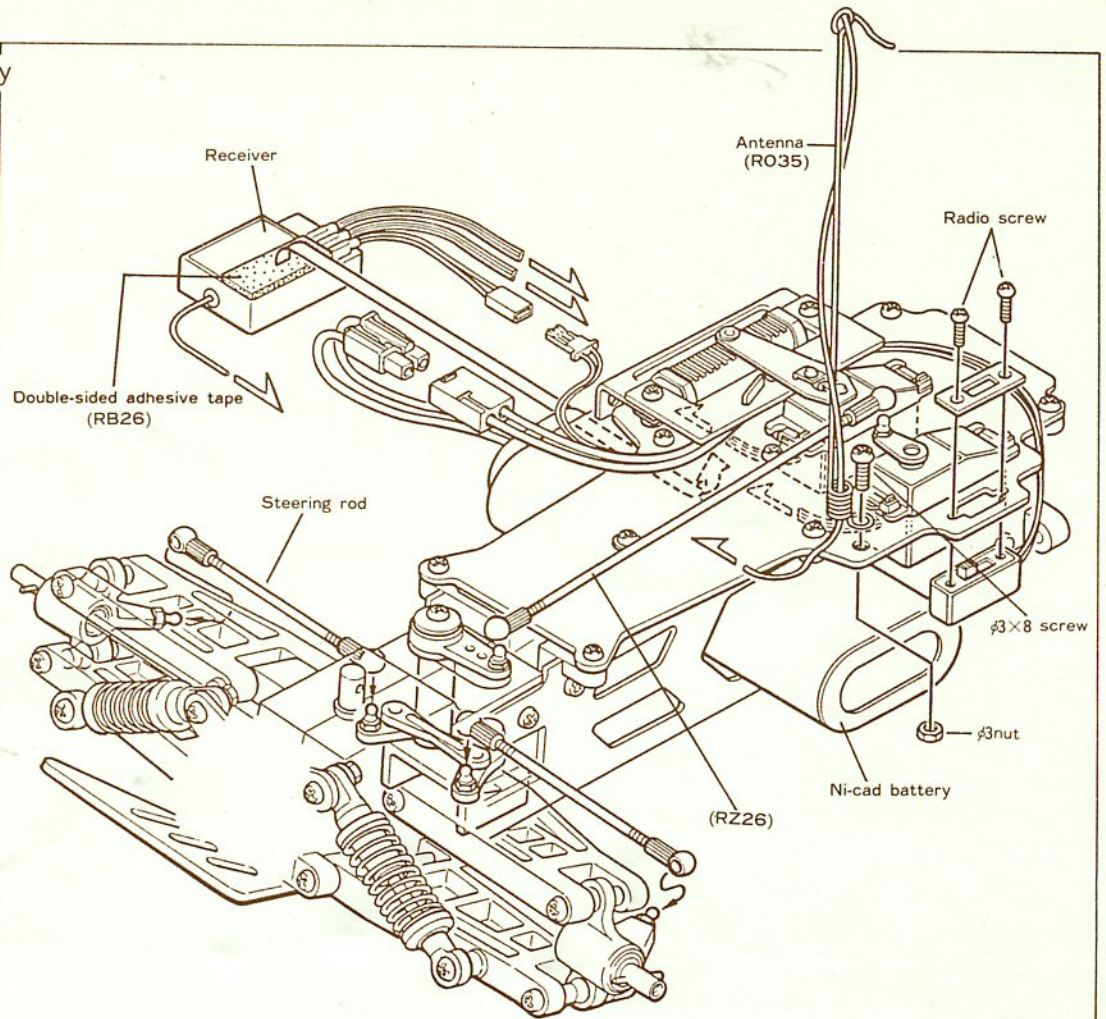


CAUTION!! Be sure pull out the connector of the Ni-cad battery after driven.

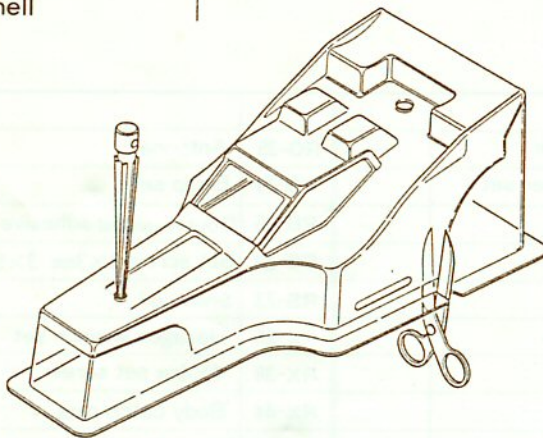
12 Fixing of Ni-cad Battery



Assemble two sets of steering tie-rod.

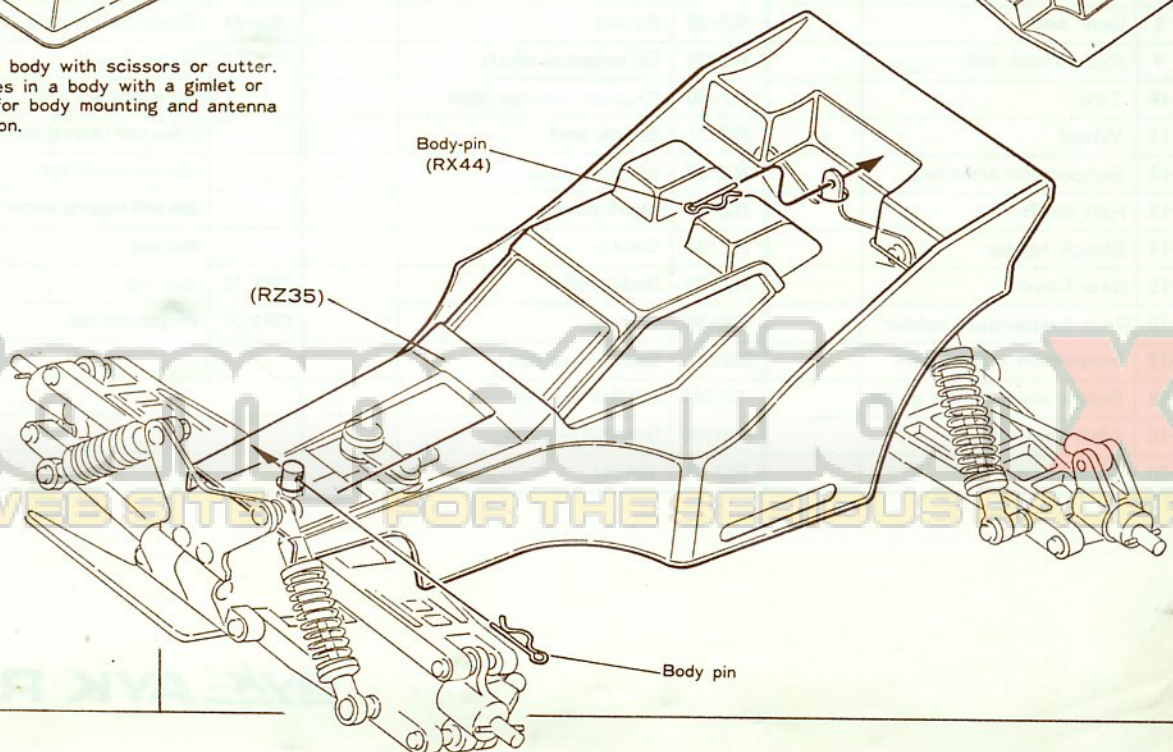
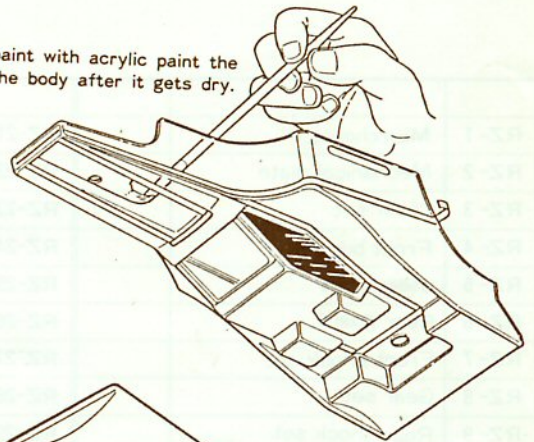


13 Body Shell



Trim the body with scissors or cutter. Drill holes in a body with a gimlet or reamer for body mounting and antenna installation.

Spray or paint with acrylic paint the inside of the body after it gets dry.



Copyright © 2000
A WEB SITE FOR THE SERIOUS HOBBYIST

RZ-1	Main chassis	RZ-21	8T sprocket gear	RO-35	Antenna
RZ-2	Mechanical plate	RZ-22	Speed controller set	RO-39	E-clip set
RZ-3	Chain set	RZ-23	Resistor	RB-26	Double-sided adhesive tape
RZ-4	Front bumper	RZ-24	Screw set	RS-39	Set screw 3×3mm 3×5mm
RZ-5	Under guard	RZ-25	King-pin set	RS-73	Shock oil
RZ-6	Rear guard	RZ-26	Threaded rods	RX-28	Hexagon wrench set
RZ-7	Front shock set	RZ-27	Wheel axle	RX-38	4×4mm set screw
RZ-8	Gear set	RZ-28	Pin set	RX-44	Body catch pins
RZ-9	Rear shock set	RZ-29	Differential shaft	CX-13	Nylon band
RZ-10	Tire	RZ-30	Thrust washer/Ball		3mm screw set
RZ-11	Wheel	RZ-31	Shock end		2.6mm self-tapping screw set
RZ-12	Suspension arms set	RZ-32	Ni -Cad band		3mm flat screw set
RZ-13	Half shaft	RZ-33	Dust cover		2mm self-tapping screw set
RZ-14	Shock holder	RZ-34	Decals		Nut set
RZ-15	Gear Cover	RZ-35	Body shell	CRX 15	Ball link
RZ-16	Rear suspension holder	RZ-36	Spring	CRX 21	Plastic nut set
RZ-17	Suspension arm screws	BB1050	5mm Ball bearings		
RZ-18	Servo saver/Chain guide	BF940	4mm Ball bearings		
RZ-19	∅ 4mm shaft set	BB1790	9mm Ball bearings		
RZ-20	Gear case	RO-33	Driver		

A WEB SITE FOR THE SERIOUS RACER